



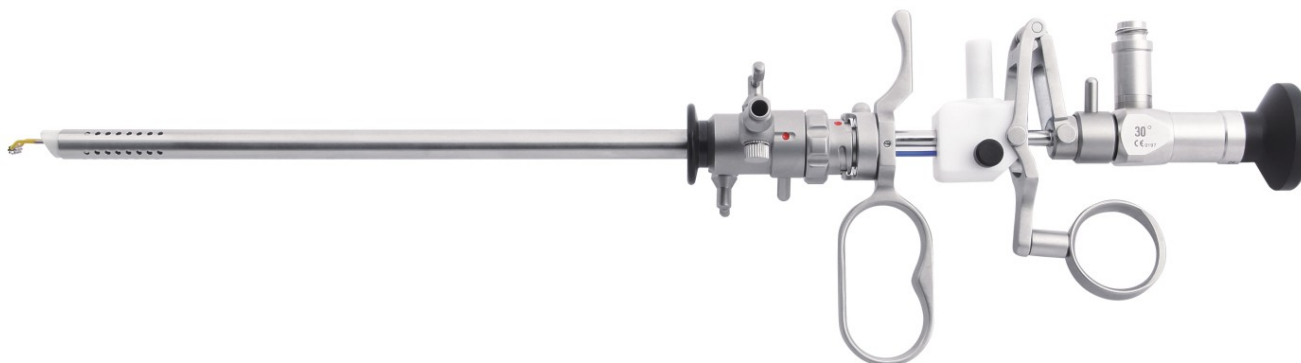
ECO-LINE

UARO

- Urethro Cystoscopy Set
- Pediatric Urethro Cystoscopy Set
- Urethrotomy Set
- Resectoscopy Set
- Pediatric Resectoscopy Set
- Lithotripsy Set
- Ureterorenoscopy Set
- Percutaneous Nephroscope Set
- Urology Instruments Options

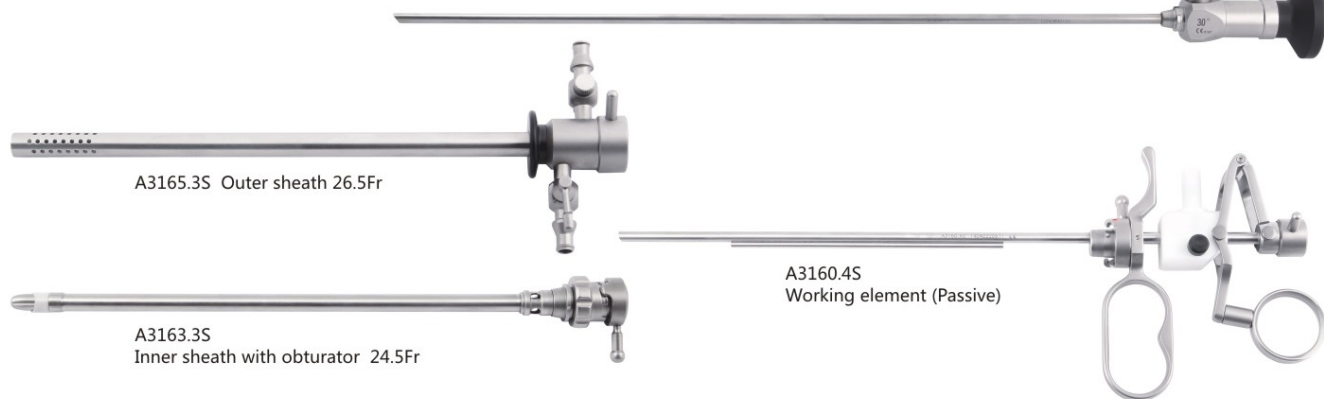
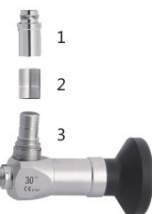


DQ-4 Resectoscopy set (Lockable)



A0322 30° Endoscope
Autoclavable
Φ4×302mm

1. Connecting to FIEGERT light guide cable
Connecting to OLYMPUS light guide cable
Connecting to STORZ light guide cable
2. Connecting to WOLF light guide cable
3. Connecting to ACMI, STRYKER light guide cable



A3165.3S Outer sheath 26.5Fr

A3163.3S
Inner sheath with obturator 24.5Fr

A3160.4S
Working element (Passive)



Electrode



1.3-DS-24
Loop 30°



4-DS-24
Roller



5-DS-24
Spike



3.1-DS-24
Spud 30°



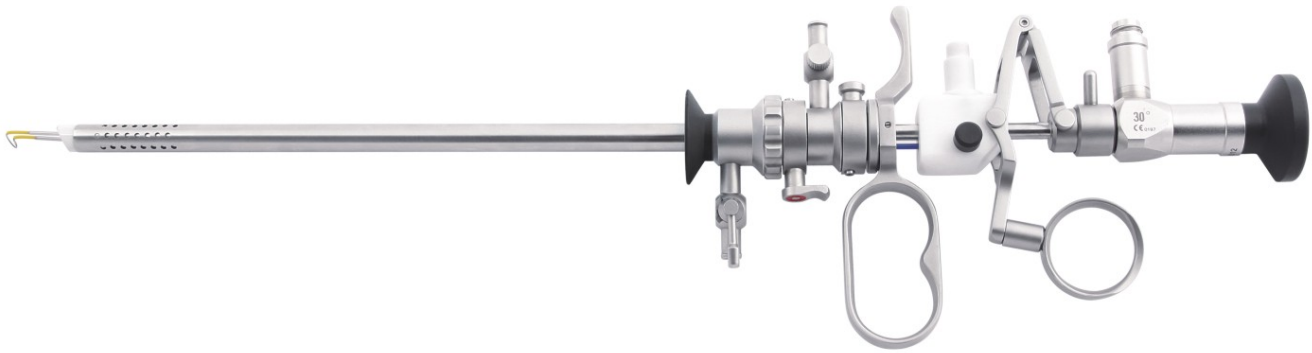
M1015
High frequency cord (Monopolar)



T4002
Evacuator(Ellik)
T1001.6
Adaptor

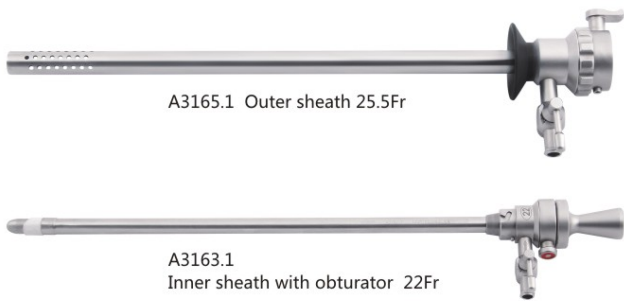
UROLOGY

DQ-7 Resectoscopy set (Click)



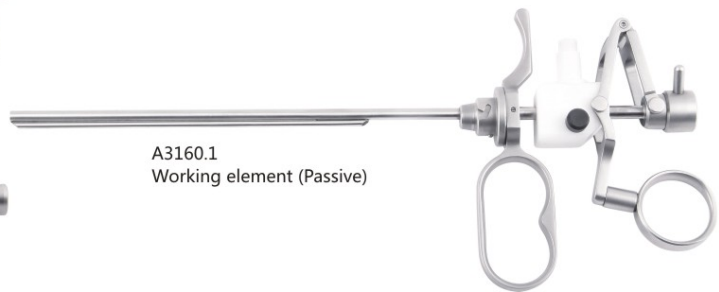
A0322 30° Endoscope
Autoclavable
Φ4×302mm

1. Connecting to FIEGERT light guide cable
Connecting to OLYMPUS light guide cable
2. Connecting to WOLF light guide cable
3. Connecting to ACMI, STRYKER light guide cable



A3165.1 Outer sheath 25.5Fr

A3163.1
Inner sheath with obturator 22Fr



A3160.1
Working element (Passive)



Electrode



A3111.1
Loop 30°



A3122
Roller



A3123
Spike



A3124.1
Spud 30°

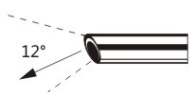
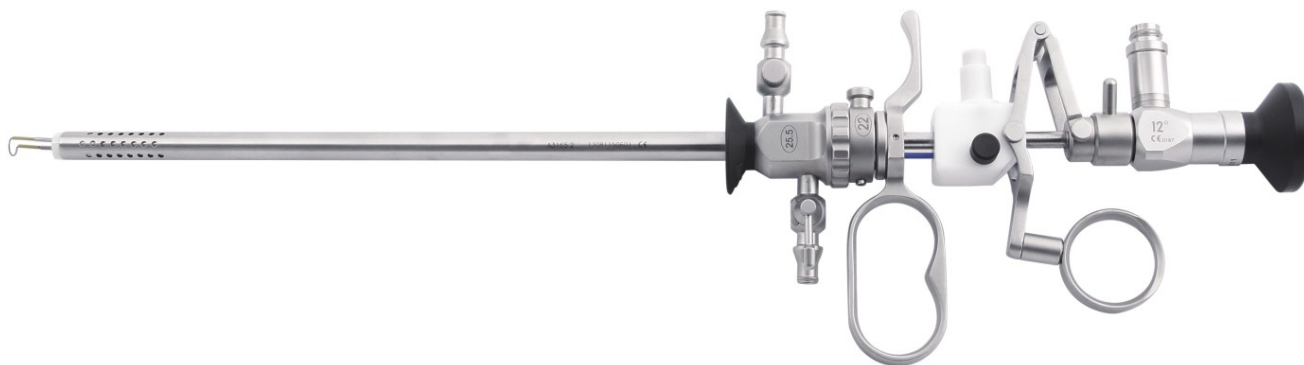


M1001
High frequency cord (Monopolar)



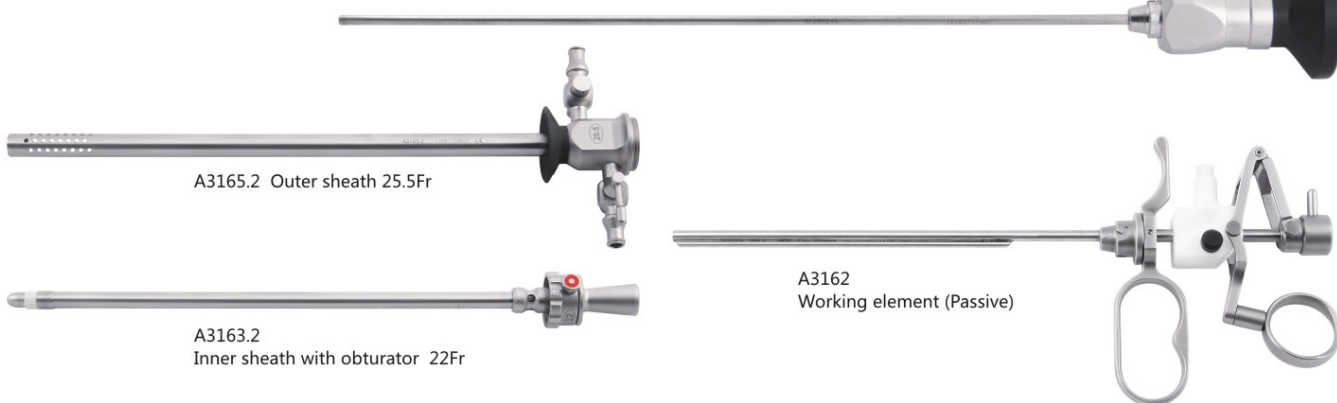
T4002
Evacuator(Ellik)
T1001.1
Adaptor

DQ-8 Resectoscopy set (Click)



A0011.1 30° Endoscope
Autoclavable
Φ4×302mm

1. Connecting to FIEGERT light guide cable
- Connecting to OLYMPUS light guide cable
- Connecting to STORZ light guide cable
2. Connecting to WOLF light guide cable
3. Connecting to ACMI, STRYKER light guide cable



A3165.2 Outer sheath 25.5Fr

A3163.2 Inner sheath with obturator 22Fr

A3162 Working element (Passive)



Electrode



A3111 Loop



A3122 Roller



A3123 Spike



A3124 Spud



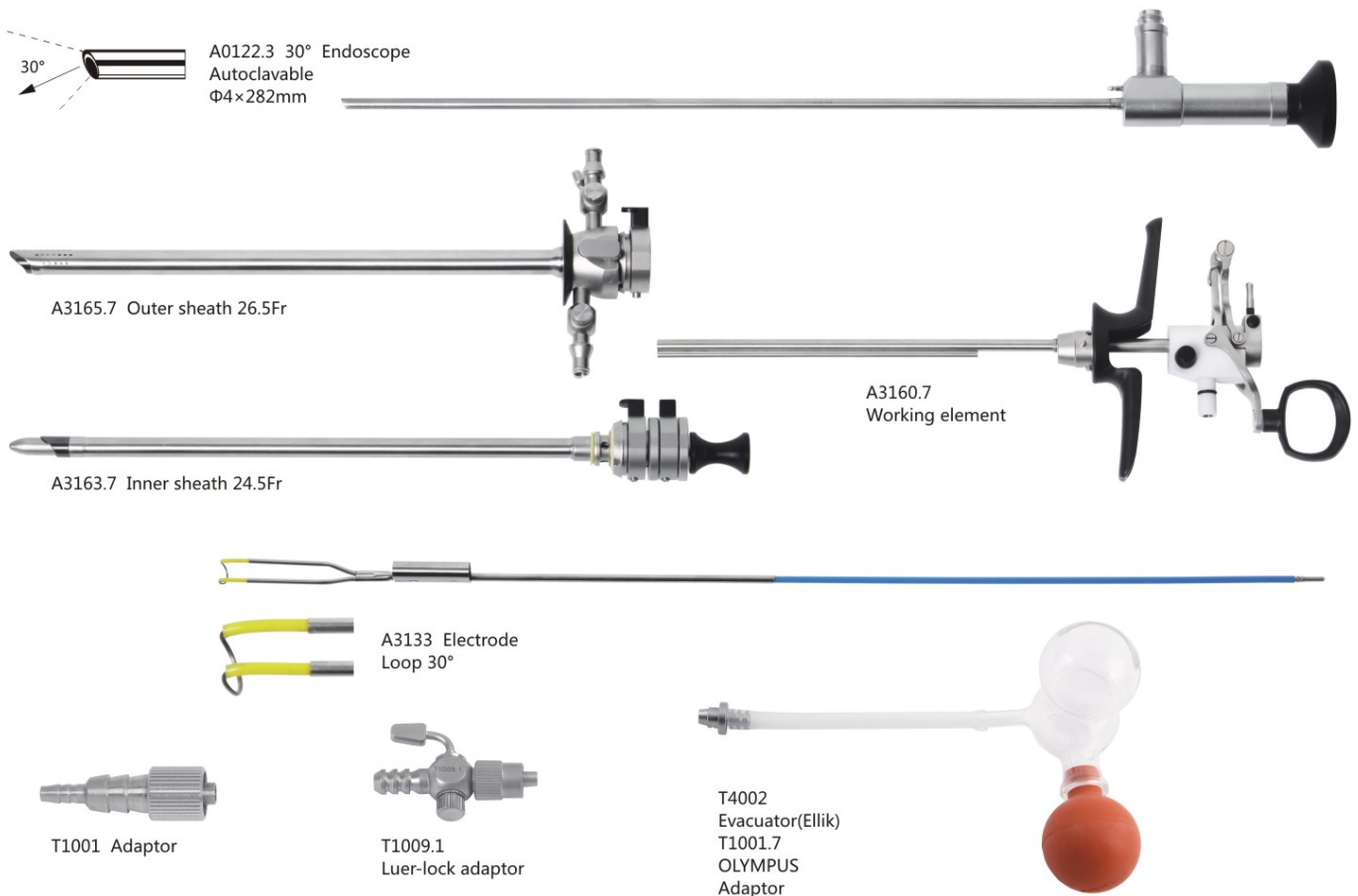
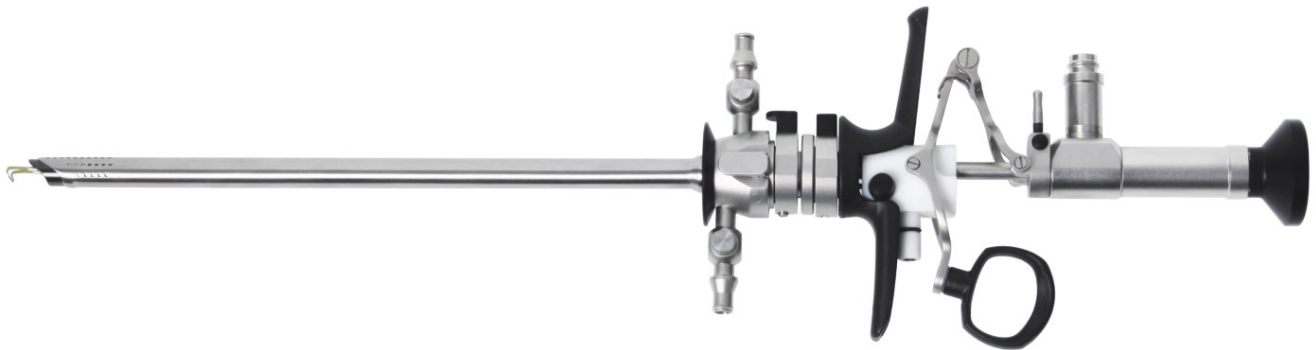
M1001 High frequency cord (Monopolar)



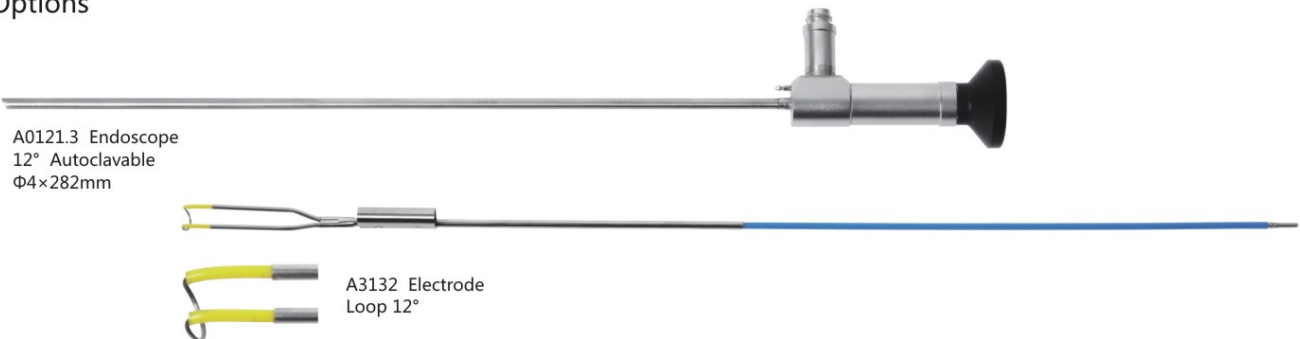
T4002 Evacuator(Ellik)
T1001.5 Adaptor

UROLOGY

DQ-12 Resectoscopy set (Click)



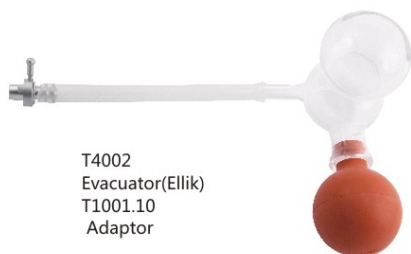
Options



DQ-9 Pediatric Resectoscopy set (Lockable)



A0210.1 0° Endoscope
Autoclavable
Φ2.7×205mm



T4002
Evacuator(Ellik)
T1001.10
Adaptor



A3168 Sheath, with obturator, 13Fr



M1001
High frequency cord (Monopolar)



A3167
Working element(Passive)



Electrode
A3111.2 Loop

Resectoscope set interchangeable parts



M0015
H.F Generator(Multifunction)



T5010.2 Light guide cable
Autoclavable
Φ4.5×2000mm

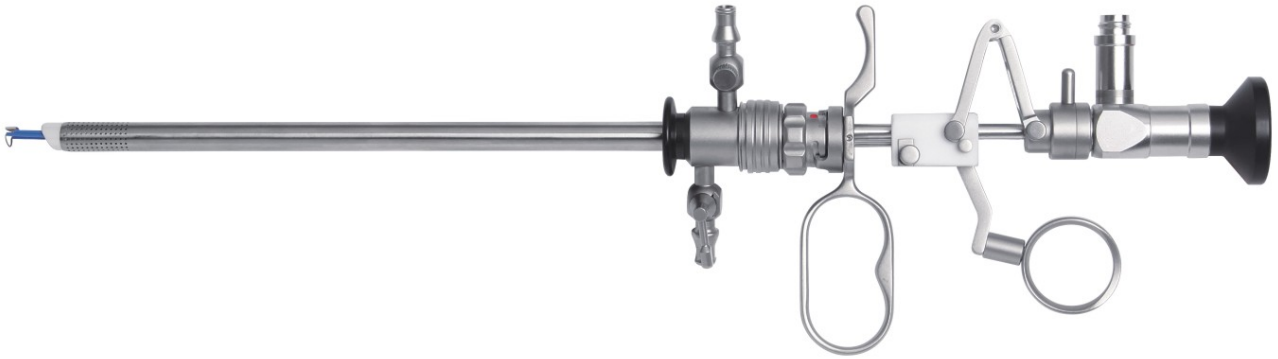


T1009.1
Luer-lock adaptor



T1001 Adaptor

DQ-10 Resectoscopy set (Click/Bipolar)

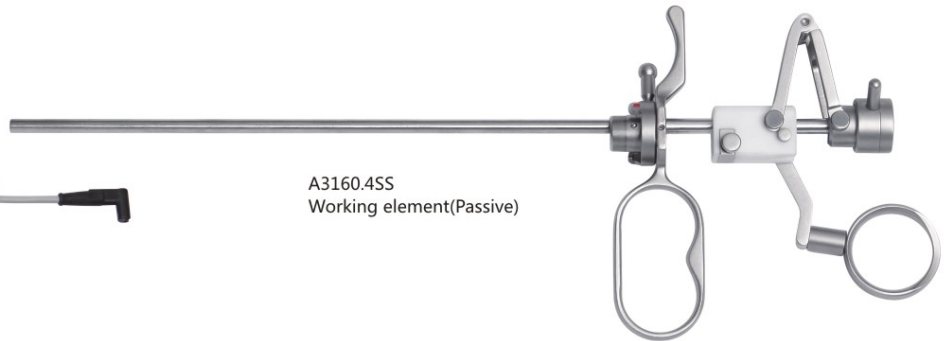


A0011.3 12°
Endoscope
Φ4×299.5mm

1. Connecting to FIEGERT light guide cable
Connecting to OLYMPUS light guide cable
2. Connecting to STORZ light guide cable
3. Connecting to WOLF light guide cable
Connecting to ACMI, STRYKER light guide cable



M1026
High frequency cord



A3160.4SS
Working element(Passive)



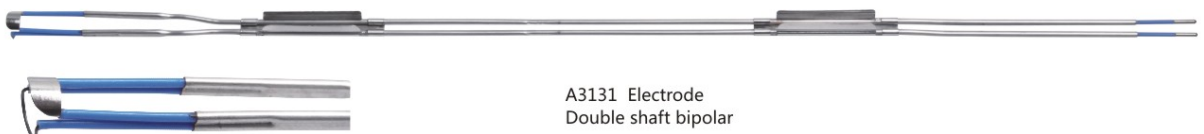
T4002
Evacuator(Ellik)
T1001.6
Adaptor



A3165.3SS Outer sheath 26.5Fr



A3163.3SS Inner sheath with obturator 24.5Fr

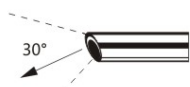
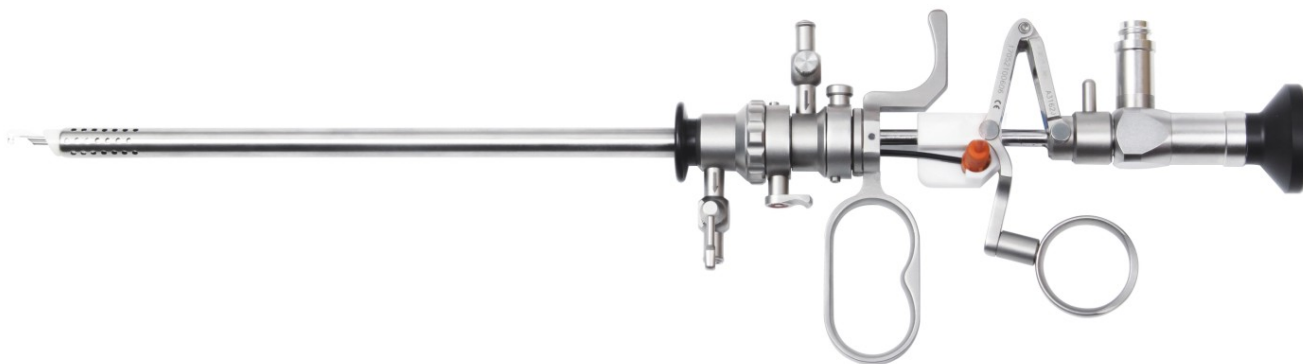


A3131 Electrode
Double shaft bipolar

UROLOGY



DQ-11 Resectoscopy set (Click/Bipolar)



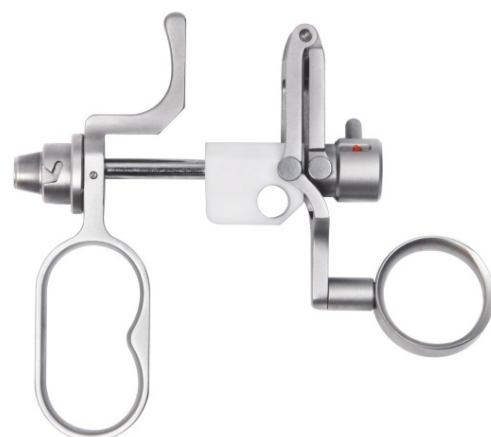
A0332 30° Endoscope
Autoclavable
Φ4×301mm



A3165.2J Outer sheath 26.5Fr



A3163.2J Inner sheath 24Fr



A3162J
Working element (Passive)



T1001 Adaptor



T1009.1
Luer-lock adaptor



A3111JL-1 Electrode
A3111JL-2 Electrode



T4002
Evacuator (Ellik)
T1001.13
Adaptor

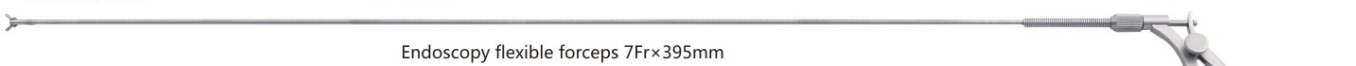
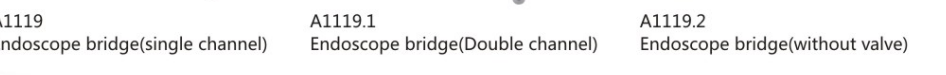
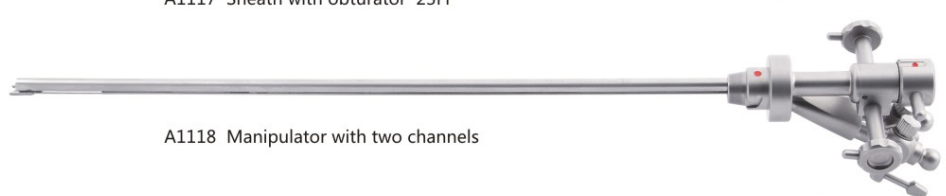
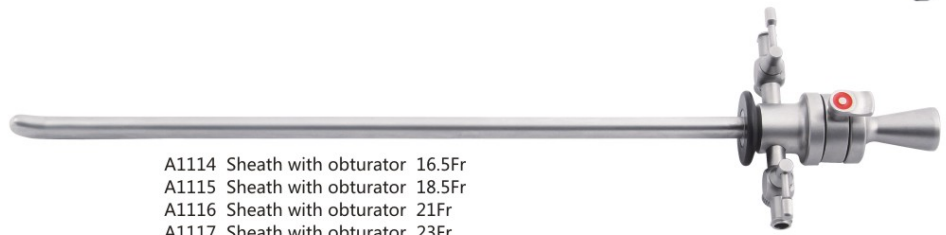
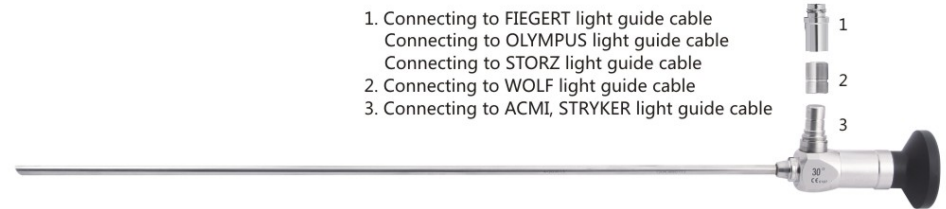


UROLOGY

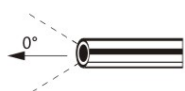
NP-6 Urethro-cystoscopy set (Click)



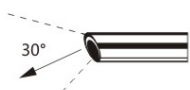
1. Connecting to FIEGERT light guide cable
Connecting to OLYMPUS light guide cable
2. Connecting to WOLF light guide cable
3. Connecting to ACMI, STRYKER light guide cable



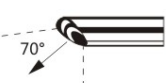
NP-7 Urethro-cystoscopy set (Lockable)



A0320 0° Endoscope
Autoclavable
Φ4×302mm



A0322 30° Endoscope
Autoclavable
Φ4×302mm



A0323 70° Endoscope
Autoclavable
Φ4×302mm



T1001 Adaptor



T1009.1
Luer-lock adaptor



A2145 sealing cap

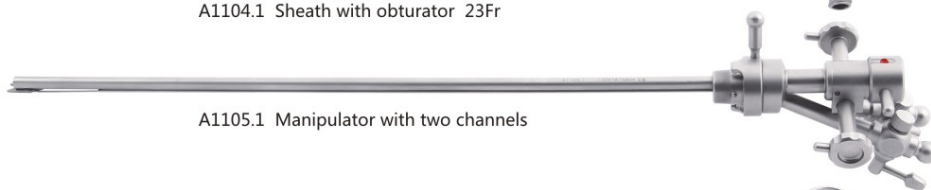


T5010.2 Light guide cable
Autoclavable
Φ4.5×2000mm

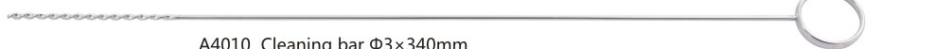
1. Connecting to FIEGERT light guide cable
Connecting to OLYMPUS light guide cable
Connecting to STORZ light guide cable
2. Connecting to WOLF light guide cable
3. Connecting to ACMI, STRYKER light guide cable



A1101.1 Sheath with obturator 16.5Fr
A1102.1 Sheath with obturator 18.5Fr
A1103.1 Sheath with obturator 21Fr
A1104.1 Sheath with obturator 23Fr



A1105.1 Manipulator with two channels



A4010 Cleaning bar Φ3×340mm



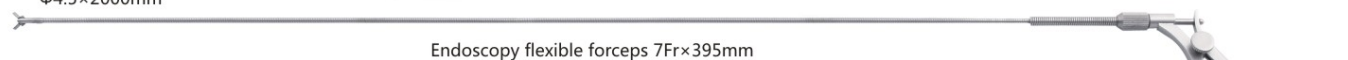
A1106.1 Endoscope bridge
(single channel)



A1106.2 Endoscope bridge
(Double channel)



A1106.3 Endoscope bridge
(without valve)



Endoscopy flexible forceps 7Fr×395mm



A2101
Biopsy forceps



A2102
Foreign body forceps



A2103
Serrated forceps



A2104
Scissors

UROLOGY



NP-2 Pediatric cystoscopy set (Lockable)



0°
A0210.1 0° Endoscope
Autoclavable
Φ2.7×205mm

30°
A0211.1 30° Endoscope
Autoclavable
Φ2.7×205mm



T1001 Adaptor



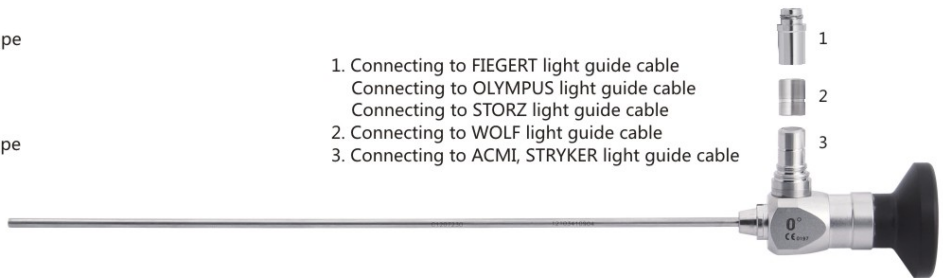
T1009.1
Luer-lock adaptor



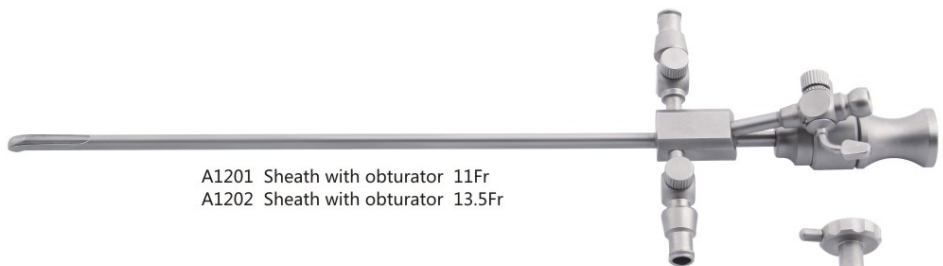
A2145 Sealing cap



T5010.2 Light guide cable
Autoclavable
Φ4.5×2000mm



1. Connecting to FIEGERT light guide cable
Connecting to OLYMPUS light guide cable
Connecting to STORZ light guide cable
2. Connecting to WOLF light guide cable
3. Connecting to ACMI, STRYKER light guide cable



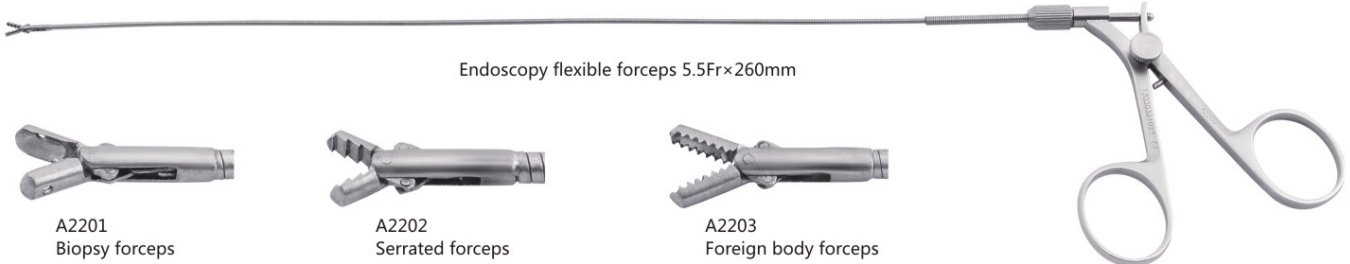
A1201 Sheath with obturator 11Fr
A1202 Sheath with obturator 13.5Fr



A1203 Manipulator



A1204 Endoscope bridge



Endoscopy flexible forceps 5.5Fr×260mm



A2201
Biopsy forceps

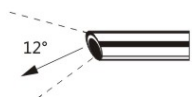


A2202
Serrated forceps



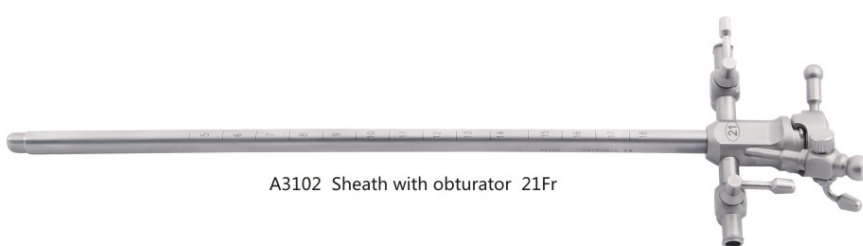
A2203
Foreign body forceps

NQ-3 Urethrotomy set (Lockable)



A0011.1 12° Endoscope
Autoclavable
Φ4×302mm

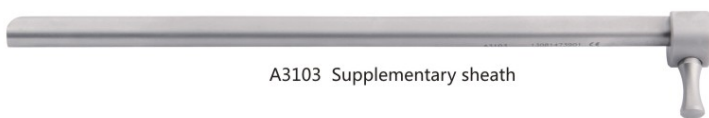
1. Connecting to FIEGERT light guide cable
- Connecting to OLYMPUS light guide cable
- Connecting to STORZ light guide cable
2. Connecting to WOLF light guide cable
3. Connecting to ACMI, STRYKER light guide cable



A3102 Sheath with obturator 21Fr



A3101 Working element (passive)



A3103 Supplementary sheath



Cold knife



A3104 Lancet



A3105 Half-round knife



A3106 Hook shape knife



T1001 Adaptor



T1009.1
Luer-lock adaptor



A2145 Sealing cap



T5010.2 Light guide cable
Autoclavable
Φ4.5×2000mm

UROLOGY

PS-3 Lithotripsy set (Curved head)



PS-4 Lithotripsy set (Straight)



PS-3/PS-4 Lithotripsy interchangeable parts



T4002
Evacuator(Ellik)
T1001.2
Adaptor



T4003
Evacuator(Hoffman)



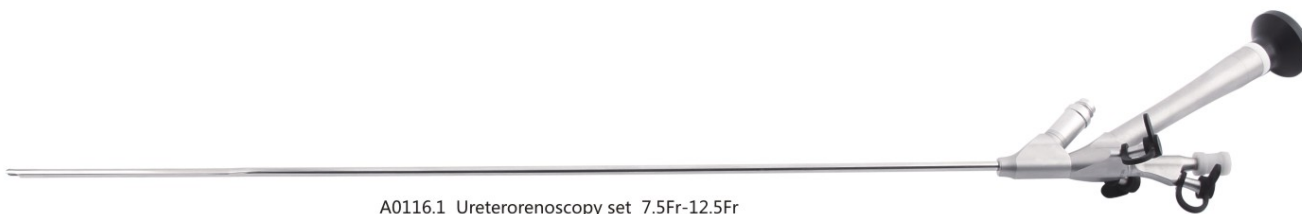
T5010.2 Light guide cable
Autoclavable
 $\Phi 4.5 \times 2000\text{mm}$



T1009.1
Luer-lock adaptor

T1001 Adaptor

SS-3 Ureterorenoscopy set



A0116.1 Ureterorenoscopy set 7.5Fr-12.5Fr



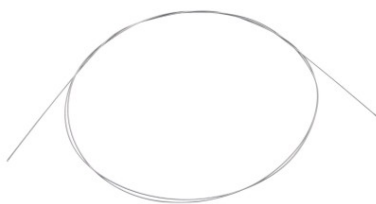
A2112.1 Dilator 13 Fr
A2112.2 Dilator 11 Fr
A2112.3 Dilator 9 Fr



T1009.1
Luer-lock adaptor



A2145 sealing cap



A2001
Metal wire



T5010.2 Light guide cable
Autoclavable
Φ4.5×2000mm



A2108.2
Grasping forceps, rigid
4.5 Fr×600mm



A2109.2
Biopsy forceps, rigid
4.5 Fr×600mm

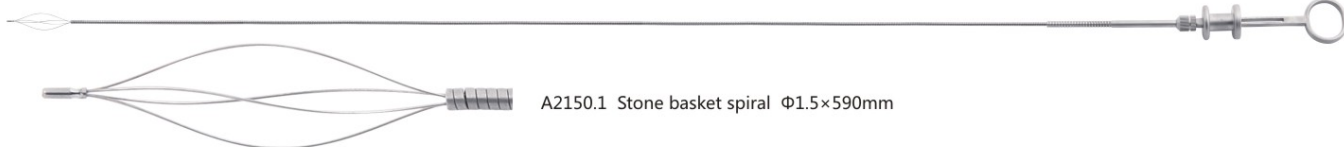


A2110.2
Grasping forceps, flexible
4.5 Fr×600mm



A2111.2
Biopsy forceps, flexible
4.5 Fr×600mm

Ureterorenoscopy set options



A2150.1 Stone basket spiral Φ1.5×590mm



Grasping forceps, rigid
A2108 5Fr×600mm
A2108.3 4Fr×600mm



Biopsy forceps, rigid
A2109 5Fr×600mm
A2109.3 4Fr×600mm

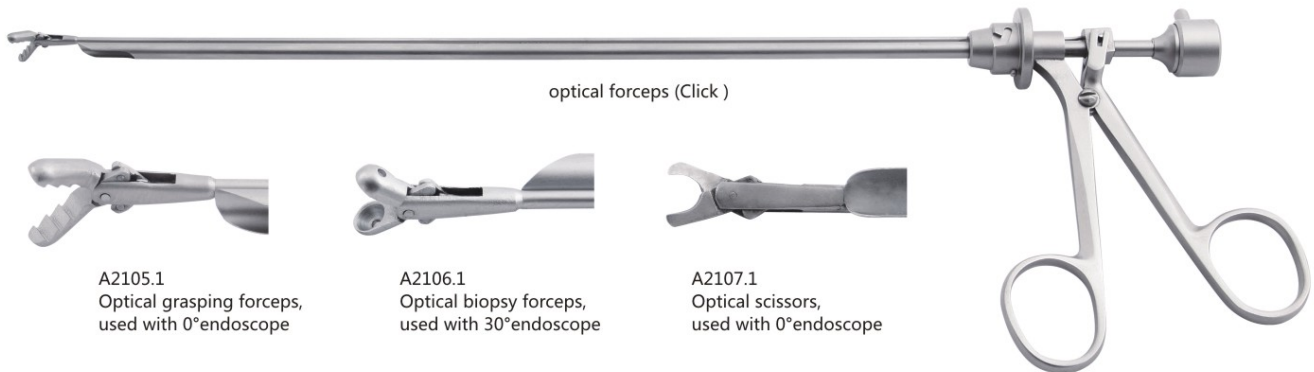
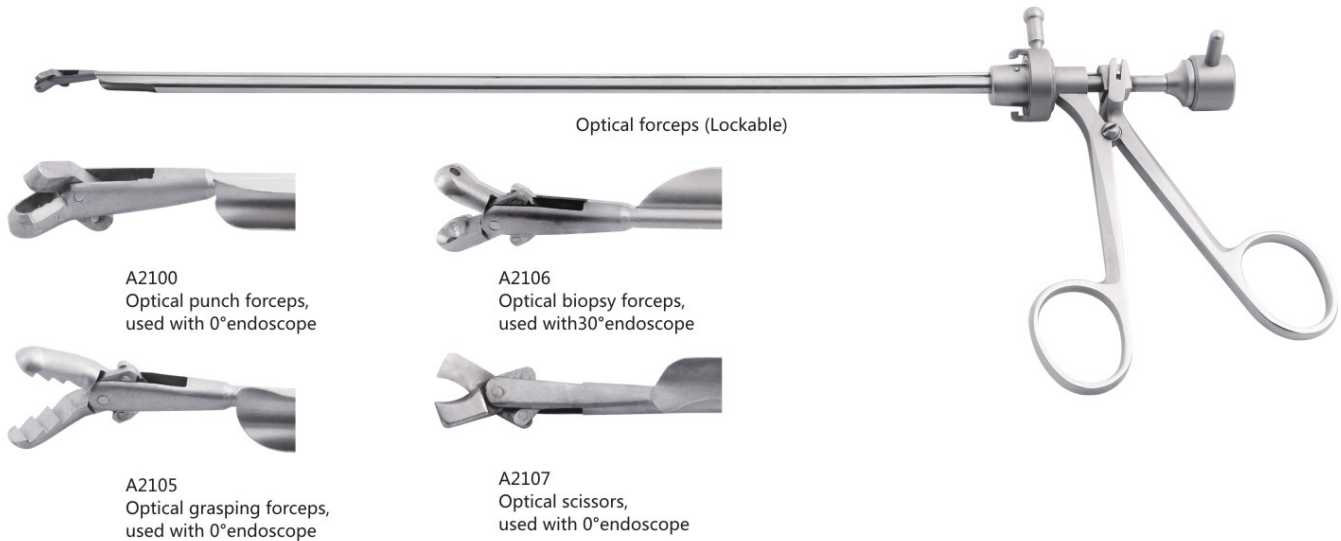


Grasping forceps, flexible
A2110 5Fr×600mm
A2110.3 4Fr×600mm



Biopsy forceps, flexible
A2111 5Fr×600mm
A2111.3 4Fr×600mm

Urology instruments options



A2113 8Fr	A2113.8 16Fr	A2113.16 24Fr
A2113.1 9Fr	A2113.9 17Fr	A2113.17 25Fr
A2113.2 10Fr	A2113.10 18Fr	A2113.18 26Fr
A2113.3 11Fr	A2113.11 19Fr	A2113.19 27Fr
A2113.4 12Fr	A2113.12 20Fr	A2113.20 28Fr
A2113.5 13Fr	A2113.13 21Fr	A2113.21 29Fr
A2113.6 14Fr	A2113.14 22Fr	A2113.22 30Fr
A2113.7 15Fr	A2113.15 23Fr	



Female urethral dilator 18Fr-42Fr

A2114.1 18Fr	A2114.4 27Fr	A2114.7 36Fr
A2114.2 21Fr	A2114.5 30Fr	A2114.8 39Fr
A2114.3 24Fr	A2114.6 33Fr	A2114.9 42Fr



A2116.1 Φ 18-38mm
Urethral filar sound dilator (with knife)

UROLOGY

Urology instruments options



Bladder trocar
A2131.1a 1×5 20Fr
A2131.1b 1×5 16Fr
A2131.1c 1×5 18Fr
A2131.1d 1×5 22Fr



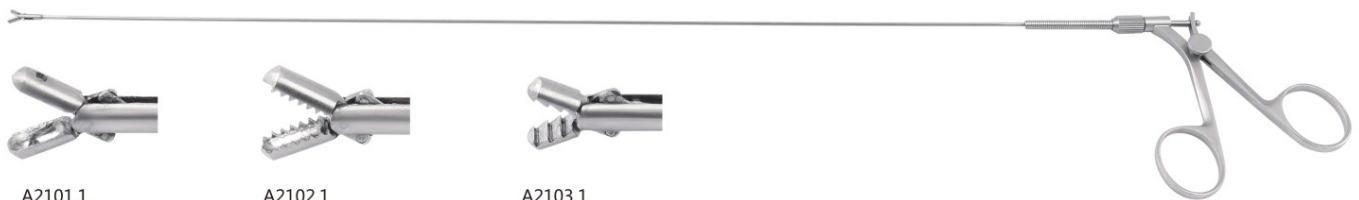
Fistula needle
A2131.2 20Fr
A2131.3 18Fr
A2131.4 22Fr
A2131.5 16Fr
A2131.6 24Fr



A2130 Penis clamps



A2148 Dressing forceps straight 200mm
A2149 Dressing forceps curved 200mm



A2101.1
Biopsy forceps, rigid
7Fr×395mm

A2102.1
Foreign body forceps, rigid
7Fr×395mm

A2103.1
Serrated forceps, rigid
7Fr×395mm



T1001.1
Adaptor for model 6, 7 resectoscopy set
T1001.5
Adaptor for model 8 resectoscopy set



T1001.2
Adaptor for
lithotrite



T1001.3
Adaptor for
veress needle



T1001.4
Adaptor for
WOLF cystoscope



T1001.6
Adaptor for STORZ
resectoscopy set



T1009.2
Adaptor

Electrode, double shaft monopolar



A3127 straight loop



A3128 loop



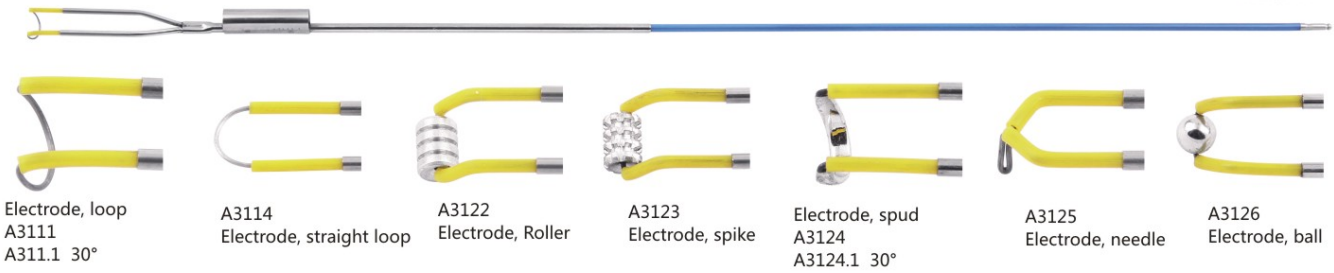
A3129 roller



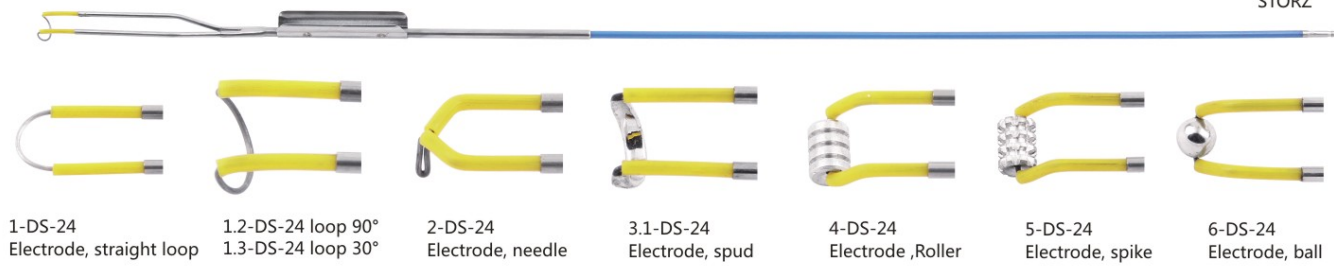
A3130 spud

Electrode

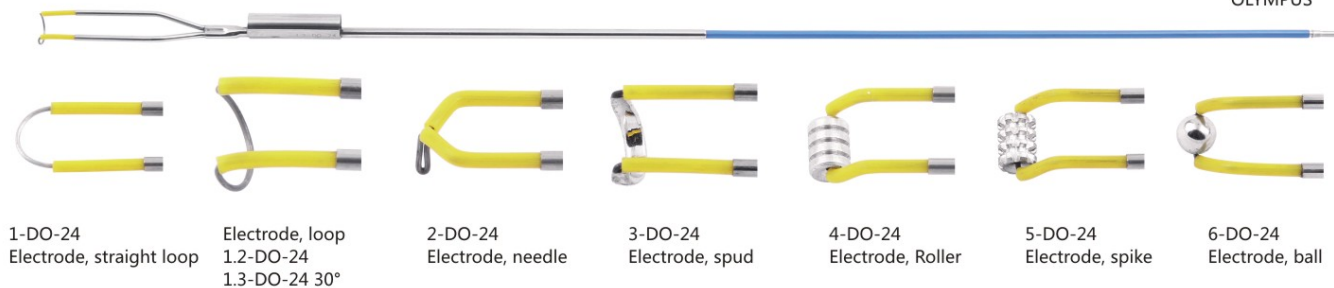
FIEGERT



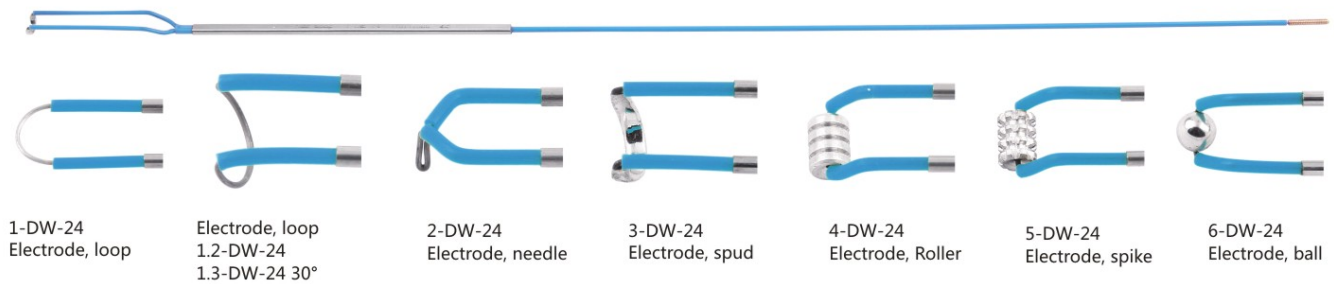
STORZ



OLYMPUS



WOLF



CIRCOU

